

SIGNAL ASPECT CONTROL CHART

L/NO	UD	S3	S35	S37	S39	S41	S47
L-2	YY	Y	R				G
L-1	YY	Y-U		R			G
L-3	YY	Y-U		Y	R		G
L-4	YY	Y-U		Y	R		G

SIGNAL ASPECT CONTROL CHART

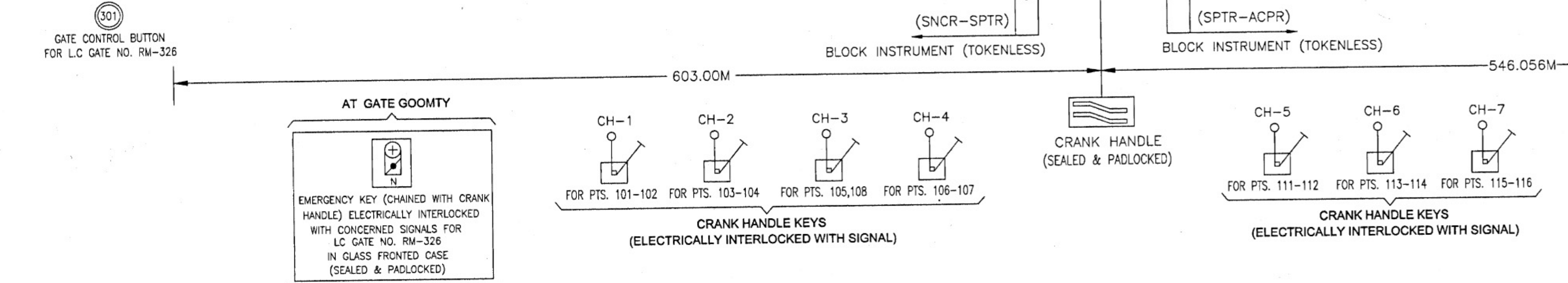
S2	S18	S16	S14	S12	S46	DD	L/NO
G			R	Y	Y		L-2
G			Y	Y	Y		L-1
G			Y	Y	Y		L-3
G			Y	Y	Y		L-4

श्रीपानी
SRIPANI
(SNCR)
KM-10.93

चिचिवागांव हॉल्ट
SISIBARGAON HALT
(D CLASS)
(SBN)
KM-4.480

मार्कांग सेलेक दिशा
ARCHIPATHAR
(B CLASS)
(ACPR)
KM-9.42

- विचलन DEVIATION**
- CRS'S SPECIFIC APPROVAL TO BE OBTAINED IN TERMS OF PARA 3.40 (1) (b) OF G & SR OF N.F. RAILWAY 2004 EDITION FOR RECKONING THE ADEQUATE DISTANCE.
 - AS 120M FROM UP STARTER SIG. NO.-S37 TOWARDS DEAD END FOR RECEPTION OF UP TRAIN ON LINE NO.-1 WHEN PTS. NO.113-114 NORMAL.
 - AS 120M FROM UP STARTER SIG. NO.-S39 TOWARDS DEAD END FOR RECEPTION OF UP TRAIN ON LINE NO.-3 WHEN PTS. NO. 111-112 & 115-116 NORMAL.
 - AS 120M FROM UP STARTER SIG. NO.-S41 TOWARDS DEAD END FOR RECEPTION OF UP TRAIN ON LINE NO.-4 WHEN PTS. NO. 111-112 NORMAL & 115-116 REVERSE.
 - AS 120M FROM DN. STARTER SIG. NO.-S14 TOWARDS DEAD END FOR RECEPTION OF DN TRAIN ON LINE NO.-1 WHEN PTS. NO. 103-104 NORMAL.
 - AS 120M FROM DN. STARTER SIG. NO.-S16 TOWARDS DEAD END FOR RECEPTION OF DN TRAIN ON LINE NO.-3 WHEN PTS. NO. 101-102,105 NORMAL.
 - AS 120M FROM DN. STARTER SIG. NO.-S18 TOWARDS DEAD END FOR RECEPTION OF DN TRAIN ON LINE NO.-4 WHEN PTS. NO. 101-102,106-107 NORMAL & 105,108 REVERSE.
2. COM'S SPECIFIC APPROVAL IS TO BE OBTAINED IN TERMS OF G.R PARA 3.04(1) OF G & SR 2004 EDITION OF N.F. RLY. FOR PLACING THE FOLLOWING SIGNALS ON THE RIGHT HAND SIDE OF THE TRACK:
SIGNAL NOS.- S18 & Sh18



2. STARTER SIGNALS ARE TO BE PROVIDED AT A DISTANCE NOT MORE THEN 3M FROM BJ/GJ AHEAD FOR MEETING TECHNICAL & LOCAL REQUIREMENTS WITH 5 SEC.TIME DELAY IN HR CIRCUIT VIDE RAILWAY BOARD LET. NO.2012/SIG/SEM-II/MISC. DT.10/10/2012

1. ALL PTS. & CROSSING ARE 1 IN 12 EXCEPT OTHERWISE MENTIONED.

टिप्पणी NOTES

कार्य का क्षेत्र	RANGIYA-MURKONGSELEK GAUGE CONVERSION PROJECT
SCOPE OF WORK	
मिशन सं. CASE NO.	B.G.
गज गेज	B.G.
अनलॉकिंग का मानक STD. OF INTERLOCKING	II (R).
स्टेशन का वर्ग	'B'
CLASS OF STATION	AS LISTED
विचलन DEVIATION	HORIZONTAL
इस योजना के अनुषंग TO SUIT ENGG. PLAN NO.	CE/Y/10/2014
मिशन योजना का स्वयं सेवा SUPERSEDES SIG. PLAN NO.	SG(SI)3064

DATE OF OPENING	CRS'S NO. & DATE	DATE OF SANCTIONING	CRS'S NO. & DATE

APPROVED

सिलापाथार SILAPATHAR SIGNALLING PLAN(E.I.)

मंडल रंगिया DIVISION RANGIYA

DRG. NO. नक्शा सं. SG (SI)3064/1

पूर्वांचल सीमा रेलवे संकेत एवं दूरसंचार विभाग
NORTHEAST FRONTIER RAILWAY - SIGNAL AND TELECOMMUNICATION DEPARTMENT.